

TECHNICAL DATA SHEET FOR

E35

Full Size Electric Convection Oven

E35 OVEN

- 6 sheet pan capacity (8 with cookie kit option)
- Stainless steel outer
- Porcelain inner
- Solid state thermostat
- * Plug in door seal
- 60 minute bake timer
- Hot reversing air system
- Time driven steam system
- 2 speed fan
- Field reversible door



E35

E35 Unit shall be a Moffat electrically heated Turbofan convection oven, E.T.L listed (UL Std 197, NSF-4). The oven shall have a one piece vitreous porcelain enamel oven liner, stainless steel exterior, twin pane field reversible full view glass door with ventilation top and bottom, with the outer panel hinged for cleaning. A two speed auto reversing fan shall evenly circulate air internally. Heating shall be accomplished via electric elements surrounding the fan. The oven shall be controlled by a solid state thermostat accurate to $\pm 2^{\circ}\text{F}$, range 150°F to 550°F, have a 60 minute bake timer, push button steam injection system, fan speed control and oven vent control. Oven shall be able to be bench mounted on 4" legs or on Moffat's A26 stand or E85-HLD proofer and holding cabinet, rated for zero clearance left and rear.

E35 Full Size Electric Convection Oven

CONSTRUCTION

Tops and sides stainless steel
 Porcelain oven interior
 Stay cool twin pane glass door (outer surface)
 163°F when oven operating at 356°F
 Interlocking door handle
 Stainless steel oven racking system with runners for wire racks or full size sheet pan
 Insulated all round for zero clearance left side and rear
 Porcelain control panel
 Field reversible door

CONTROLS

Electronic thermostat variable from 150°F to 550°F ± 2°F
 1 hour bake timer with buzzer
 Timed water injected steam
 2 speed fan (700rpm-1400rpm)
 On/off switch
 Hot reversing air system
 High limit safety

CLEANING

Stainless steel top and side exterior panels side of the unit
 Easy clean surfaces
 Fully removable oven racking system
 Door outer glass hinged for cleaning access
 Removable Proofer water tank

OPTIONS

Fully insulated stainless steel door with twin pane glass viewing window
 E85-A-8-HLD or E85-A-12-HLD Proofers and Holding Cabinets
 Sheet pans, wire racks
 Specialist side racks for cookies

SPECIFICATIONS

Electrical Requirements

208V 3ph+E 11.2kW L1 31.1A
 L2 31.1A
 L3 31.1A
 220-240V 3ph+E 12.5kW L1 30-1A
 L2 30-1A
 L3 30-1A

Water Requirements

¾" thread
 80psi maximum inlet pressure
 20psi minimum inlet pressure

External Dimensions

Width 34½" / 880mm
 Height 31½" / 800mm
 Depth 34½" / 880mm

Internal Dimensions

Width 18" / 460mm
 Height 28" / 710mm
 Depth 26" / 660mm

Oven Rack Dimensions

Width 18" / 460mm
 Depth 26" / 660mm

Nett Weight

330lbs / 150kg

Packing Data

441lbs / 181kg
 33.8ft³ / 0.96m³
 Width 39½" / 1001mm
 Height 39" / 990mm
 Depth 38" / 965mm

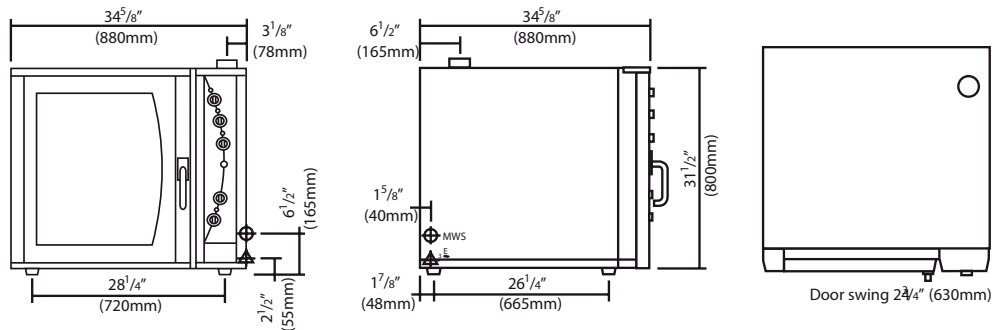
INSTALLATION CLEARANCES

Rear 0" / 0mm
 LH Side 0" / 0mm
 RH Side 3" / 75mm

* For fixed installations a minimum of 20" / 500mm is required for service

CLEARANCE FROM SOURCES OF HEAT

A minimum distance of 12" / 300mm from the appliance sides is required



MOFFAT®

www.moffat.com

U.S.A.

Moffat Inc
 3765 Champion Boulevard
 Winston-Salem
 North Carolina 27105
 Ph Toll Free 1-800-551 8795
 Ph 336-661 0257
 Fax 336-661 9546
 Email sales@moffat.com
 www.moffat.com

Manufactured by:

Moffat Limited
 16 Osborne Street PO Box 10-001
 Christchurch 8081 New Zealand



ISO9001
 Quality
 Management
 Standard

Designed and manufactured by

MOFFAT®

ISO9001

All Turbofan products are designed and manufactured by Moffat using the internationally recognised ISO9001 quality management system, covering design, manufacture and final inspection, ensuring consistent high quality at all times.

In line with policy to continually develop and improve its products, Moffat Limited reserves the right to change specifications and design without notice.



© Copyright Moffat Ltd
 Moffat 9.11

