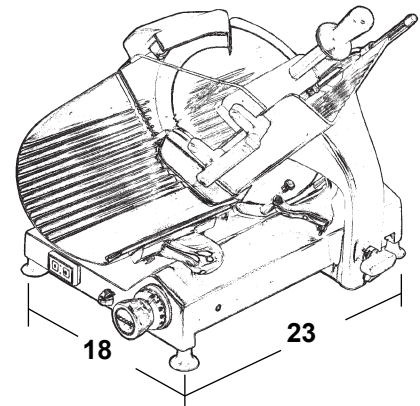


C 33F/N



- Interlock on gauge plate
- Dual action sharpener
- GEAR driven transmission
- ON/OFF Switches with LED
- Removable parts for cleaning: blade cover, product-holder plate, aluminium meat grip, Stainless Steel slice deflector
- Blade with NARROW BAND out of chromium-plated, hardened steel
- Turning aside and REMOVABLE sharpener
- Big size product-holder plate
- Transparent Plexiglas Protection at product-holder plate
- High reliability of all elements
- New design with large spaces
- Fixed ring guard



Model	Blade ø inch	Drive	Hp	Volt	Cut thickness inch	Slicing capacity inch	lbs
C 33F/N	13	Gear	0.5	120/60/1	0-1	□ 11 x 7 ○ 9.5	95

Varimixer

Call 800-222-1138 or visit www.varimixer.com
 14240 South Lakes Drive Charlotte, NC 28273, USA
 800-222-1138, Fax: 704-583-1703 mixer@varimixer.com



PROFESSIONAL USE